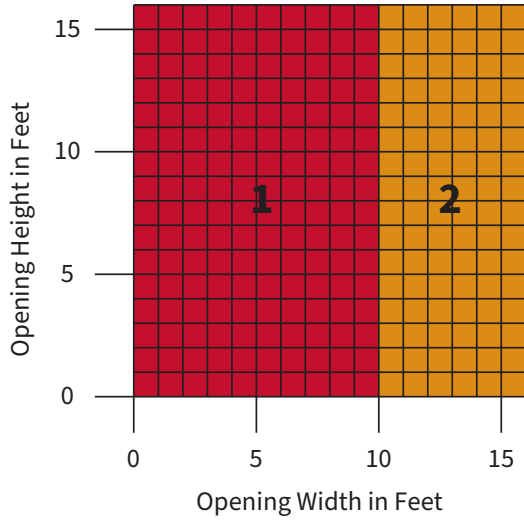


# CORROSION RESISTANT SERVICE DOOR

Model ESD10CR

## MEASURE THE WIDTH AND HEIGHT OF THE DOOR OPENING

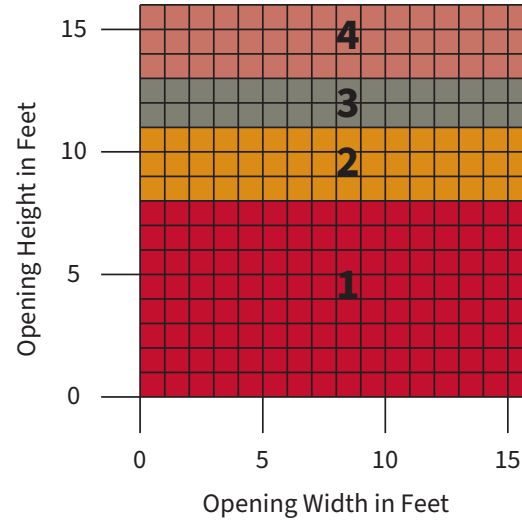
WINDLOAD MODEL\*



Dimensions  
in Inches

1	17	19	8	8
2	20	22	9	9
Zone	A	B	C	D

NON-WINDLOAD MODEL

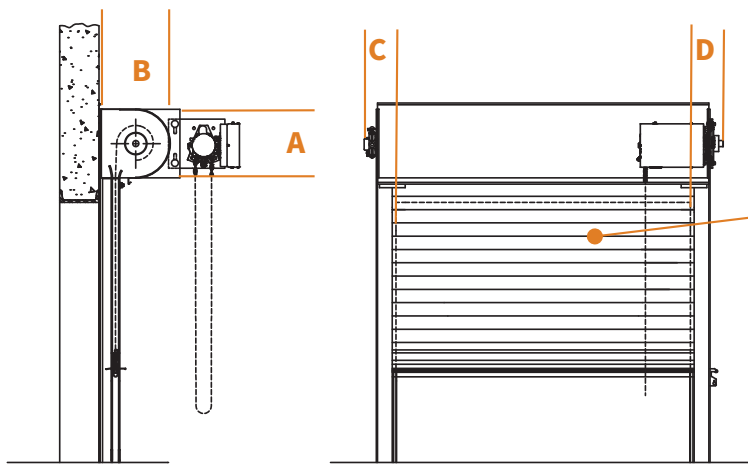


Dimensions  
in Inches

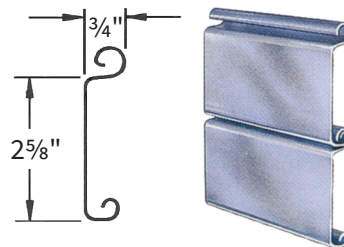
1	14	16	7	7
2	15	17	7	7
3	16	18	7	7
4	17	19	7	7
Zone	A	B	C	D

\*Windload model only available in stainless steel.

The dimensions featured on this sheet are provided as a guide. Please visit our website at [www.cooksondoor.com/drawings](http://www.cooksondoor.com/drawings) to generate drawings on demand with exact dimensions.



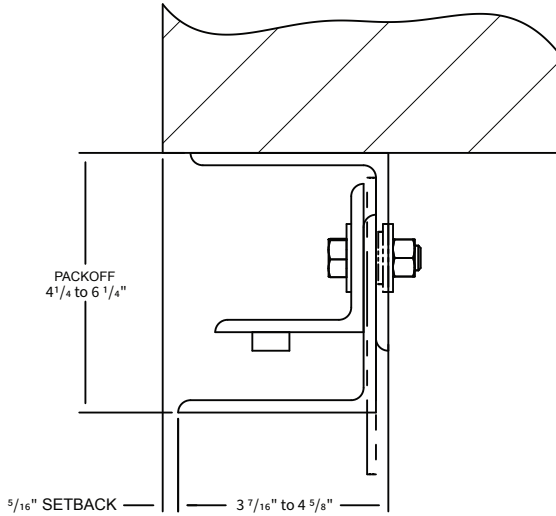
CURTAIN SLAT DESIGN



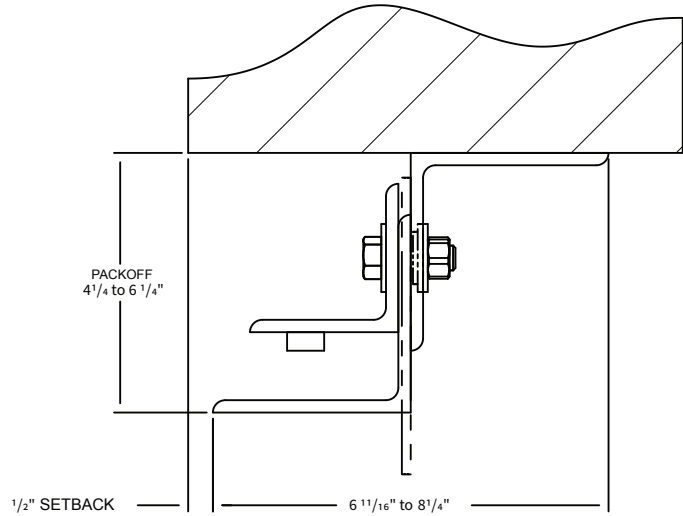
# ROLLING DOORS **CORROSION RESISTANT SERVICE DOOR Model ESD10CR**

## GUIDE CONSTRUCTION OPTIONS

### E-GUIDE



### Z-GUIDE



The dimensions featured on this sheet are provided as a guide. Please visit our website at [www.cooksondoor.com/drawings](http://www.cooksondoor.com/drawings) to generate drawings on demand with exact dimensions.

## CUSTOM-DESIGNED SOLUTIONS

Our experienced Architectural Design Support Team can customize our products to fit your specific application. Call 800.233.8366 ext. 4551 • [architecturaldesignsupport@cornellcookson.com](mailto:architecturaldesignsupport@cornellcookson.com)

800.294.4358 | [cooksondoor.com](http://cooksondoor.com)

CornellCookson, Inc. is an ISO 9001:2015 registered company

11.2022

Preferred door solutions.<sup>®</sup>  
**COOKSON**